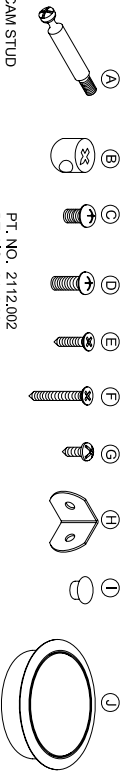


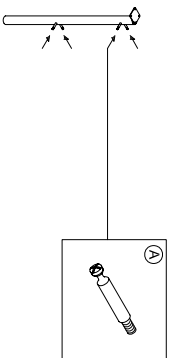
DO NOT ASSEMBLE IF ANY COMPONENTS ARE MISSING. THIS COULD RESULT IN THE STRUCTURAL FAILURE OF THE WORKSTATION. TOOLS REQUIRED FOR ASSEMBLING WORKSTATION - WITH HEXAGON WRENCH (SUPPLIED), FOZL HEAD SCREW DRIVER NO. 2 (NOT SUPPLIED).



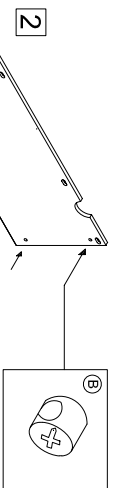
- A 4 OFF CAM STUD
- B 8 OFF CAM HOUSING
- C 5 OFF M6 X 10mm M/C SCREW
- D 2 OFF M6 X 16mm M/C SCREW
- E 10 OFF 4 X 20mm CSK W/DSCREW
- F 2 OFF 4 X 35mm CSK W/DSCREW
- G 2 OFF 4 X 13mm PAN HD W/DSCREW
- H 1 OFF BRACKET
- I 2 OFF HOLE PLUG
- J 3 OFF CABLE OUTLET

- PT. NO. 2112.002
- PT. NO. 2153.007
- PT. NO. 2116.065
- PT. NO. 2116.027
- PT. NO. 2112.226
- PT. NO. 2112.413
- PT. NO. 2112.404
- PT. NO. 2151.101
- PT. NO. 2311.005
- PT. NO. 2312.012
- PT. NO. 2312.018
- PT. NO. 2312.011
- PT. NO. 2312.026

- BLACK
- PEARL
- D. GREY
- SILVER

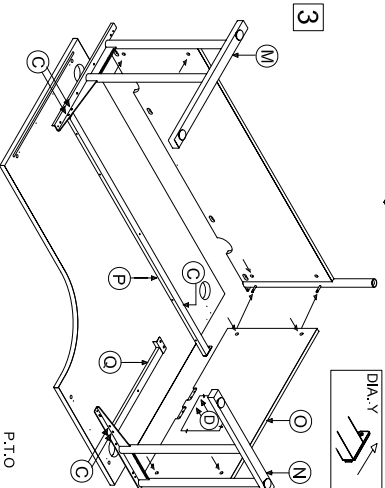


1 SCREW CAM STUDS INTO CORNER LEG



2 INSERT CAM HOUSINGS INTO MODESTY PANELS

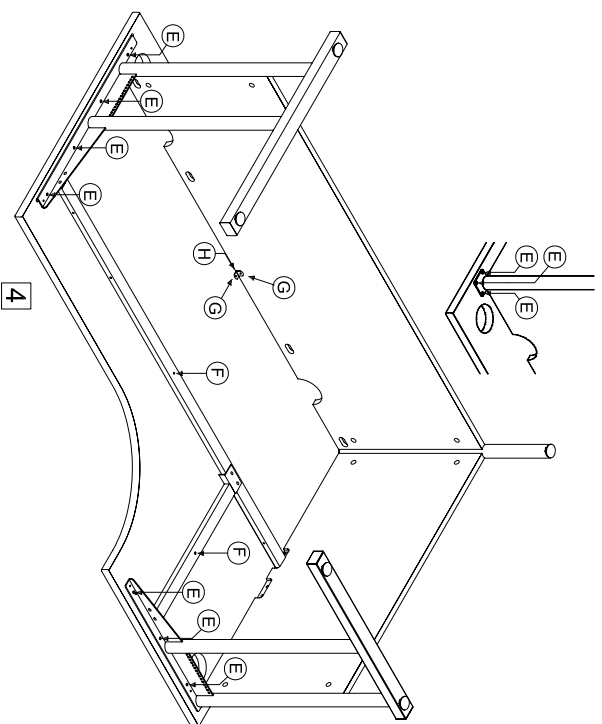
PLEASE NOTE-WORKSTATION SHOWN IS A LEFT HAND.



3 FOR EASE OF ASSEMBLY TURN LEGS AND MODESTY PANELS UPSIDE DOWN. OFFER UP CAM STUDS INTO LEG FRAMES INTO THE APPROPRIATE SIDES OF BOTH MODESTY PANELS. ENSURE LEGS ARE UP TIGHT AGAINST CURVED EDGE OF PANELS. TIGHTEN CAM HOUSINGS.

PLACE THE LONGER CROSS RAIL BETWEEN LEG FRAME AND SIDE MODESTY PANEL. ENSURE RAILS CORRECT WAY ROUND SEE DIA. Y. FASTEN THROUGH LEG FRAME INTO THE RAIL END PLATE USING M6 X 10mm SCREWS. FASTEN THROUGH MODESTY PANEL INTO THE RAIL END PLATE USING M6 X 16mm SCREWS. PLACE SHORT CROSS RAIL BETWEEN LEG FRAME AND LONG CROSS RAIL. FASTEN THROUGH LEG FRAME INTO THE RAIL END PLATE USING M6 X 10mm SCREWS. FASTEN THROUGH CROSS RAIL END BRACKET INTO UNDERSIDE OF CROSS RAIL USING M6 X 10mm SCREW.

3912.025



4 LINE UP COUNTERSUNK HOLES IN ASSEMBLED LEG FRAME WITH HOLES IN UNDERSIDE OF TOP SCREW THROUGH USING NO. 4 X 20mm WOODSCREWS. SCREW THROUGH BOTH CROSS RAILS WITH 4 X 35mm WOODSCREWS INTO TOP. LINE UP BRACKETS WITH HOLES IN MODESTY PANEL AND SCREWS TO PANEL AND TOP USING 4 X 13mm WOODSCREWS.

5 TURN WORKSTATION THE CORRECT WAY UP AND INSERT CABLE OUTLETS INTO HOLES IN TOP. INSERT HOLE PLUGS INTO HOLES NOT USED IN SIDE MODESTY PANEL.

