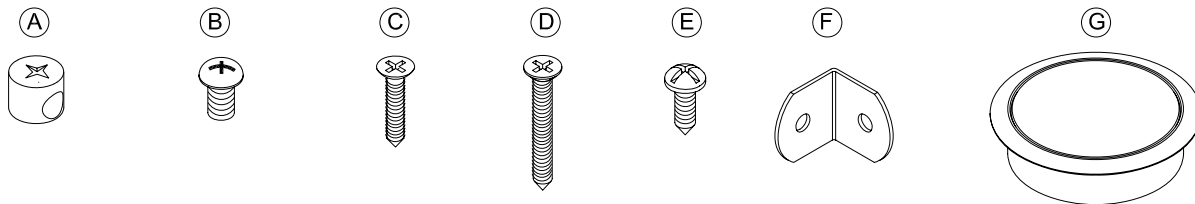




DO NOT ASSEMBLE IF ANY COMPONENTS ARE MISSING. THIS COULD RESULT IN THE STRUCTURAL FAILURE OF THE DESKING.
 TOOLS REQUIRED FOR ASSEMBLING DESKING - . POZI HEAD SCREW DRIVER NO. 2 POINT [NOT SUPPLIED].

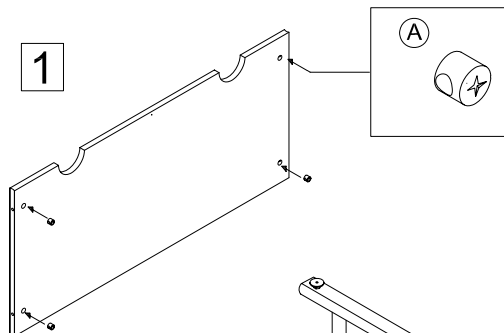


- | | | |
|----------------------------------|----------|------------------|
| A 4 OFF CAM HOUSING | | PT. NO. 2153.007 |
| B 4 OFF M6 X 10mm M/C SCREW | | PT. NO. 2111.065 |
| C 8 OFF 4 X 20mm CSK W/DSCREW | | PT. NO. 2112.226 |
| D 1 OFF 4 X 35mm CSK W/DSCREW | | PT. NO. 2112.413 |
| E 2 OFF 4 X 13mm PAN HD W/DSCREW | | PT. NO. 2112.404 |
| F 1 OFF BRACKET | | PT. NO. 2151.101 |
| G 2 OFF CABLE OUTLET | — BLACK | PT. NO. 2312.012 |
| | — PEARL | PT. NO. 2312.018 |
| | — D.GREY | PT. NO. 2312.011 |
| | — SILVER | PT. NO. 2312.026 |

1

INSERT CAM HOUSINGS (A) INTO MODESTY PANEL

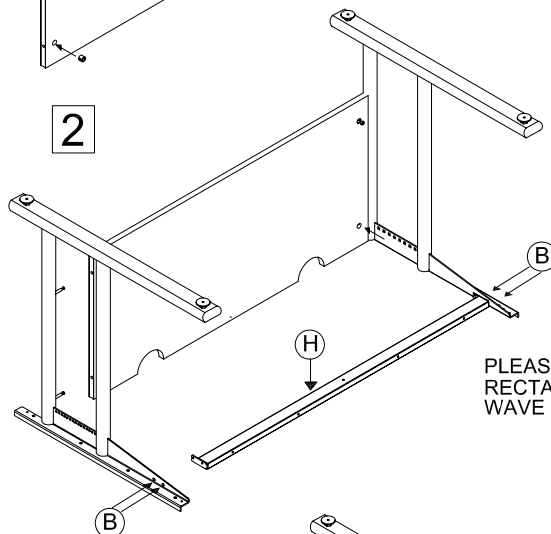
1



2

FOR EASE OF ASSEMBLY TURN LEGS AND MODESTY PANEL UPSIDE DOWN. OFFER UP CAM STUDS IN LEG FRAMES INTO SIDE OF MODESTY PANEL. ENSURE LEGS ARE TIGHT UP AGAINST CURVED EDGES OF MODESTY PANEL. TIGHTEN CAM HOUSINGS (A)

2



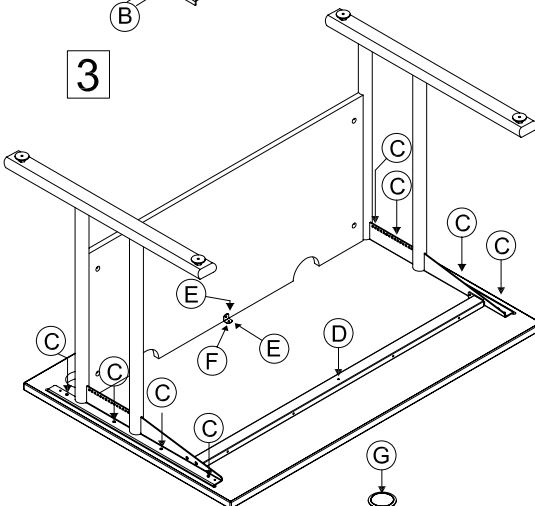
PLEASE NOTE - THE ASSEMBLY OF RECTANGULAR & SINGLE/DOUBLE WAVE DESKING IS THE SAME.

PLACE CROSS RAIL (H) [SUPPLIED SEPPERATLY] BETWEEN FRONT OF LEG FRAME . ENSURE RAIL IS THE CORRECT WAY ROUND, SEE DIA. Y. FASTEN THROUGH LEG FRAMES INTO RAIL END PLATE USING M6 X 10mm M/C SCREWS (B) .

3

LINE UP COUNTERSUNK HOLES IN ASSEMBLED LEG FRAME WITH HOLES IN UNDERSIDE OF TOP. SCREW THROUGH USING NO. 8 X 3/4" WOODSCREWS (C). SCREW THROUGH CROSS RAIL WITH NO 8 X 1.1/4" WOODSCREW (D) INTO TOP. LINE UP BRACKET (F) WITH HOLE IN MODESTY PANEL AND SCREW TO PANEL AND TOP USING NO. 8 X 1/2" WOODSCREWS (E)

3



4

TURN DESK THE CORRECT WAY UP AND INSERT CABLE OUTLETS (G) IN HOLES IN TOP.

4

