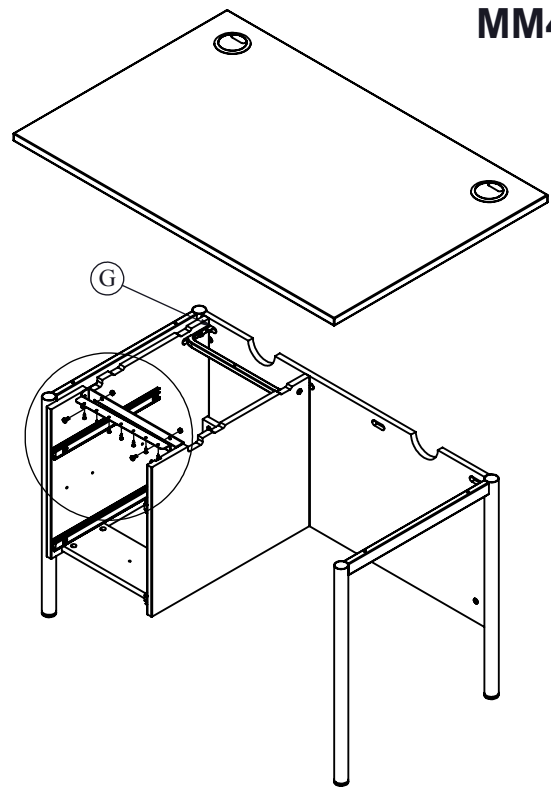
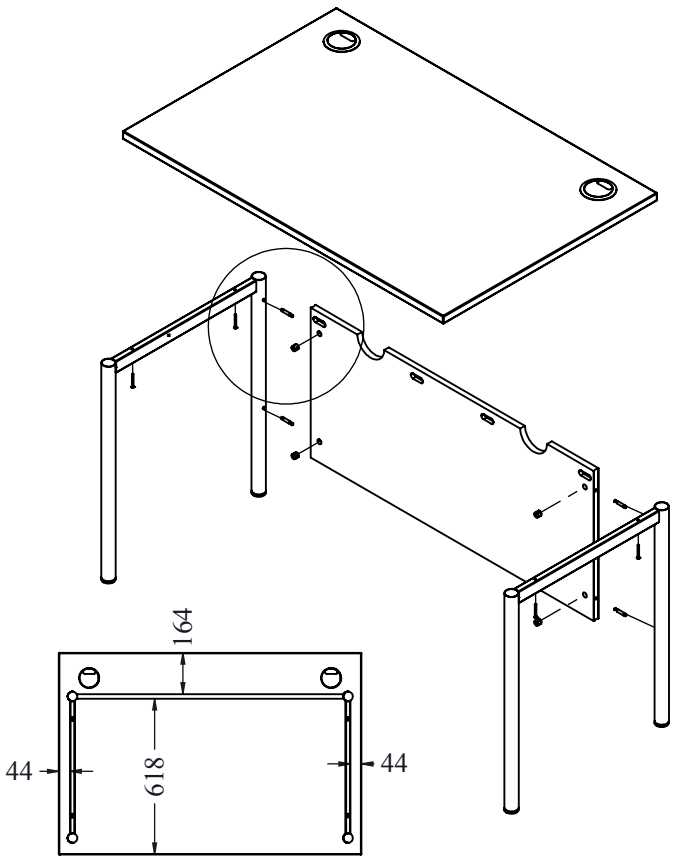


MM4 ASSEMBLY INSTRUCTION SHEET



INSERT CAMS, ITEMS 'A', INTO MODESTY PANEL WITH ARROWS FACING EDGE OF BOARD.

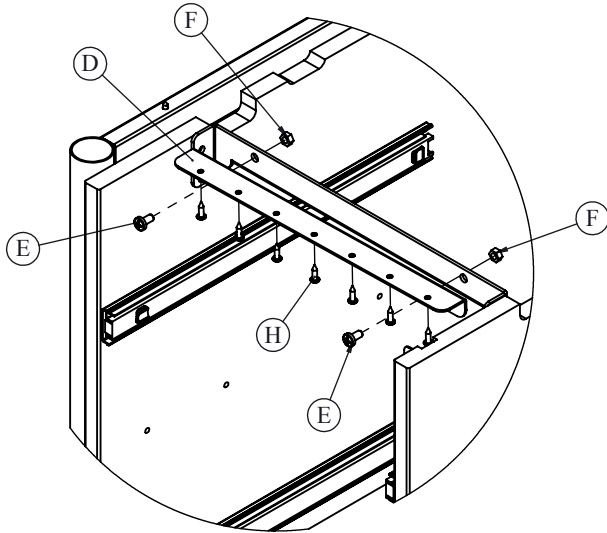
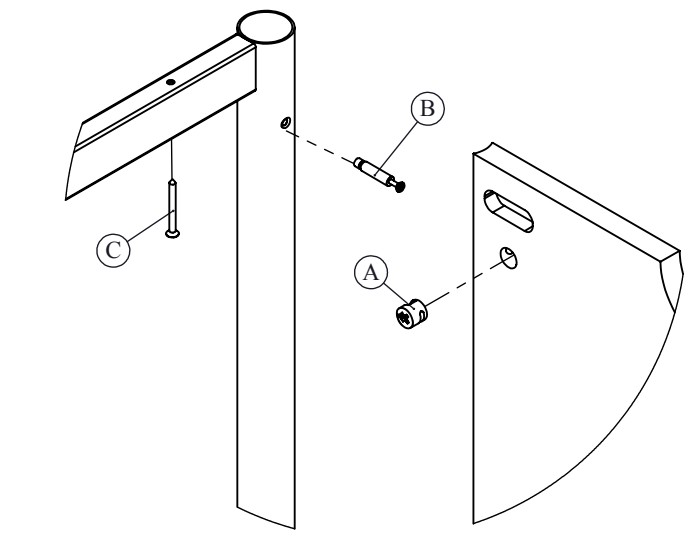
INSERT CONNECTING STUDS, ITEMS B, INTO LEGS.

OFFER UP LEGS WITH STUDS INTO EDGE OF MODESTY PANEL INTO CAMS. TIGHTEN CLOCKWISE WITH POZI HEAD SCREW DRIVER

POSITION FRAME ON TOP, SEE DIAGRAM, INSERT NO.8 X 2" LONG SCREWS, ITEMS 'C' THROUGH LEGS AND SCREW INTO TOP.

ASSEMBLY OF PEDESTAL TO DESK
TO REMOVE DRAWERS. FULLY EXTEND DRAWERS AND PUSH DOWN LEVER ON RIGHT HAND RUNNER AND AT THE SAME TIME PUSH UP LEVER ON LEFT HAND RUNNER AND PULL OUT DRAWER.

ATTACH BRACKET, ITEM 'D' TO PEDESTAL CROSS RAIL WITH M6 X 12 MACHINE SCREWS, ITEMS E, AND M6 NUTS, ITEMS F.



TURN TABLE UPSIDE DOWN FOR EASE OF ASSEMBLY OF PEDESTAL

INSERT REAR PEDESTAL RAILS INTO SLOTS IN MODESTY PANEL SEE DETAIL 'G'.

SCREW THROUGH BRACKET WITH NO.8 X 5/8" SCREWS, ITEMS H, INTO TOP.

TO RE-ASSEMBLE DRAWERS INTO PEDESTAL
PULL SLIDING CARRIAGES ON RUNNERS ON BOTH PEDESTAL SIDES FULLY FORWARD. ALIGN UP RUNNERS ON THE DRAWER SIDES WITH CARRIAGE AND PUSH SLOWLY FORWARD UNTIL BOTH SETS ENGAGE.