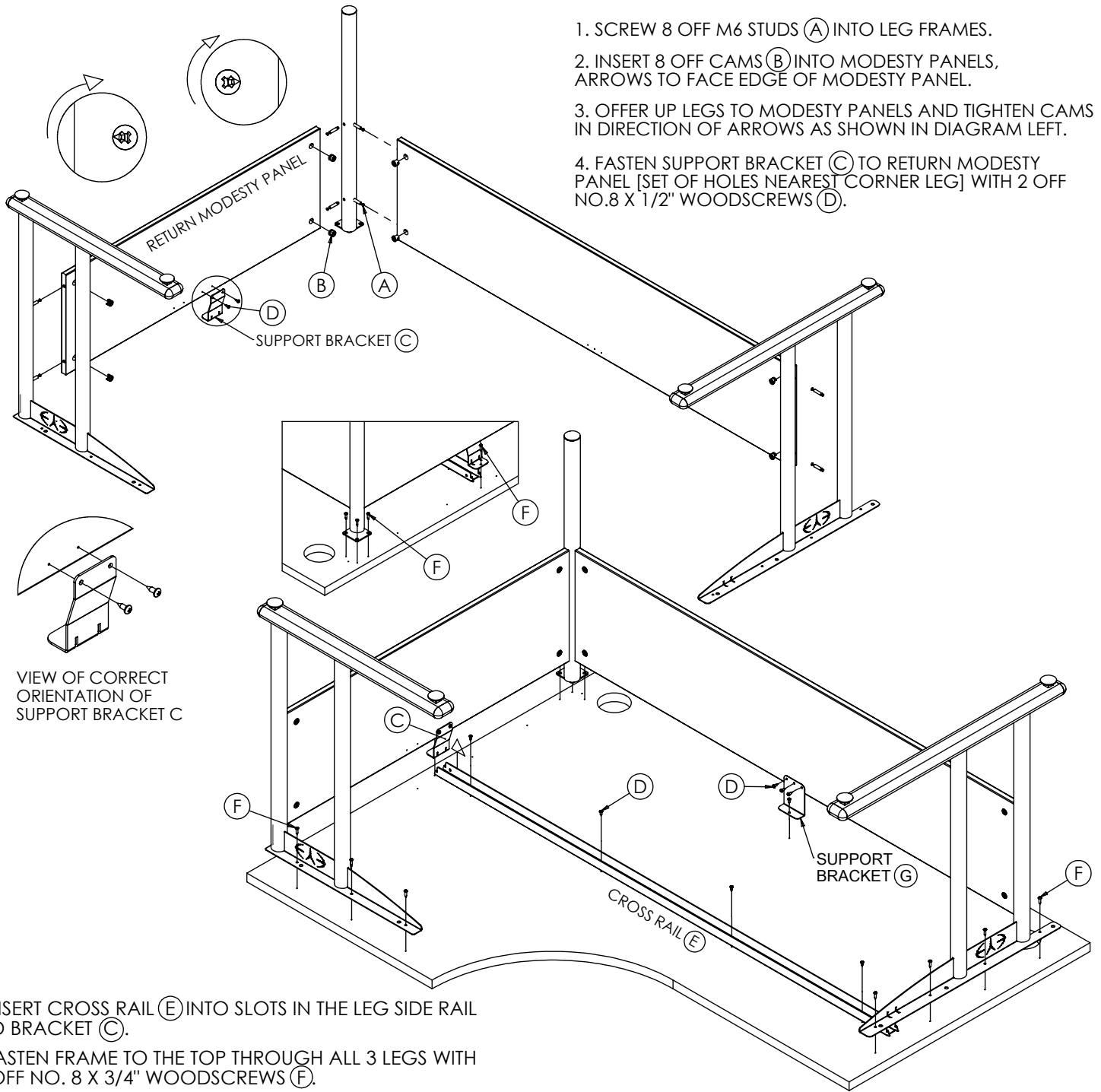
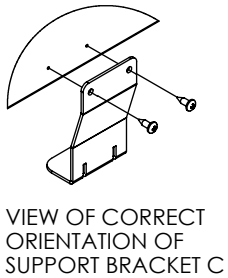


EYE WORKSTATION DESKING ASSEMBLY INSTRUCTIONS

RIGHT HAND WORKSTATION SHOWN. LEFT HAND MIRROR IMAGE.



1. SCREW 8 OFF M6 STUDS (A) INTO LEG FRAMES.
2. INSERT 8 OFF CAMS (B) INTO MODESTY PANELS, ARROWS TO FACE EDGE OF MODESTY PANEL.
3. OFFER UP LEGS TO MODESTY PANELS AND TIGHTEN CAMS IN DIRECTION OF ARROWS AS SHOWN IN DIAGRAM LEFT.
4. FASTEN SUPPORT BRACKET (C) TO RETURN MODESTY PANEL [SET OF HOLES NEAREST CORNER LEG] WITH 2 OFF NO.8 X 1/2" WOODSCREWS (D).



5. INSERT CROSS RAIL (E) INTO SLOTS IN THE LEG SIDE RAIL AND BRACKET (C).
6. FASTEN FRAME TO THE TOP THROUGH ALL 3 LEGS WITH 10 OFF NO. 8 X 3/4" WOODSCREWS (F).
7. FASTEN SUPPORT BRACKET (C) TO THE TOP WITH 1 OFF NO.8 X 3/4" WOODSCREWS (F).
8. FASTEN FRAME TO THE TOP THROUGH CROSS RAIL (E) WITH 4 OFF NO. 8 X 1/2" WOODSCREWS (D).
9. FASTEN SUPPORT BRACKET (G) TO THE TOP AND MODESTY PANEL WITH 4 OFF NO.8 X 1/2" WOODSCREWS (D).
10. INSERT CABLE OUTLET PODS INTO THE TOP (H).

